

ONE CHANNEL SHOWN

NOTES:

- 1) R9 USED ONLY FOR CHANNEL A INSTEAD OF S1
- SI USED ONLY FOR CHANNEL B INSTEAD OF R9
- 2) RESISTORS 1/4W, 1% UNLESS SPECIFIED

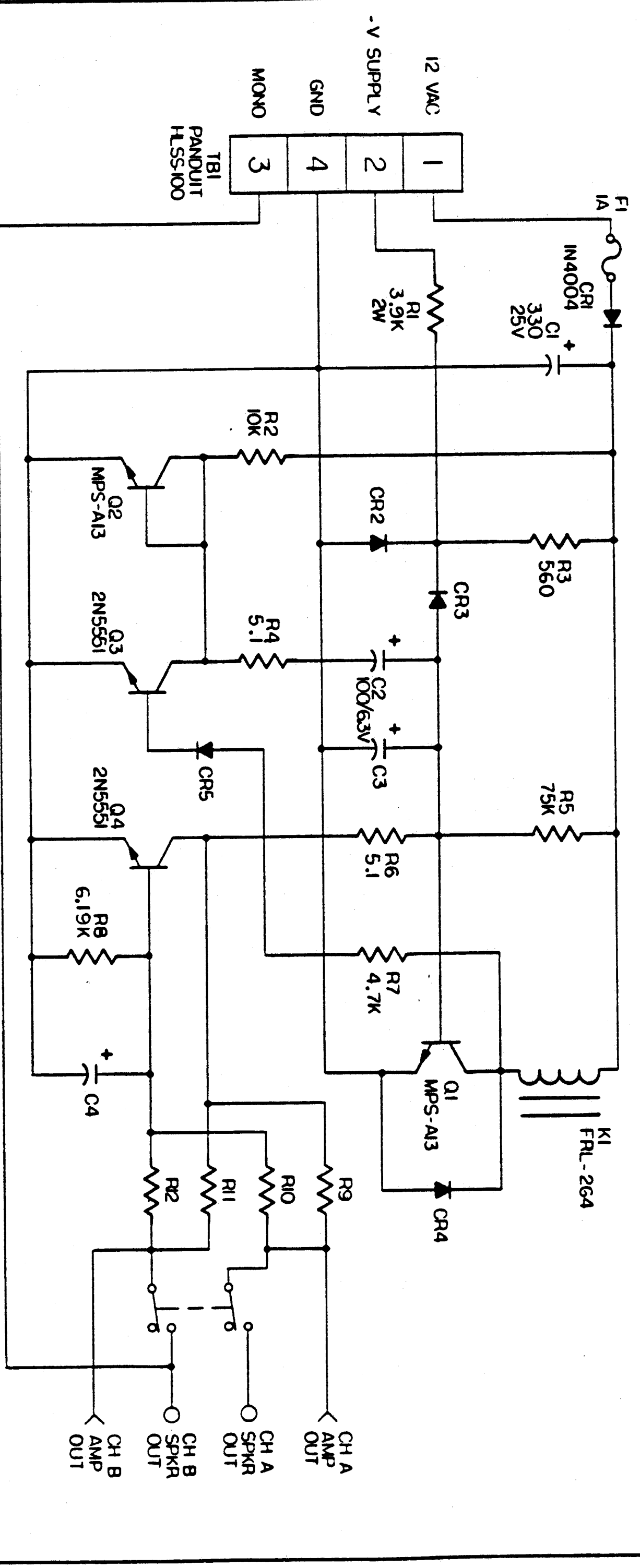
REV	DESCRIPTION	DATE
01	REDESIGN	8/2/84

OWN:	JJD	DATE:	8/2/84
APP:	J.F.	DATE:	8/15/84
TOL:	02	±	1%
REV:	01	FRAC:	1/64

CREST:
POWER AMPLIFIERS
MODEL'S 1001A/1501A SERIES
INPUT P.C.B.

FINISH:	
SCALE: ---	DO NOT SCALE DRAWING
REV: 01	
DWG NO: 2102726	

CREST AUDIO
 HAWTHORNE, N.J. 07506



- NOTES:**
- 1) CAPACITOR VALUES IN MFD UNLESS SPECIFIED
C3, C4 ARE 330/25V
 - 2) DIODES IN4148 UNLESS SPEC'F'D
 - 3) RESISTORS 1/4W 5% UNLESS SPEC'F'D
R9-12 ARE 47K

LAST USED	REF DES	REV	DESCRIPTION	DATE
USED	NOT USED	01	C3,4 FROM 100/63 TO 330/25	2/13/85
C4				
CR5				
F1				
K1				
RI2				
TBI				
Q4				

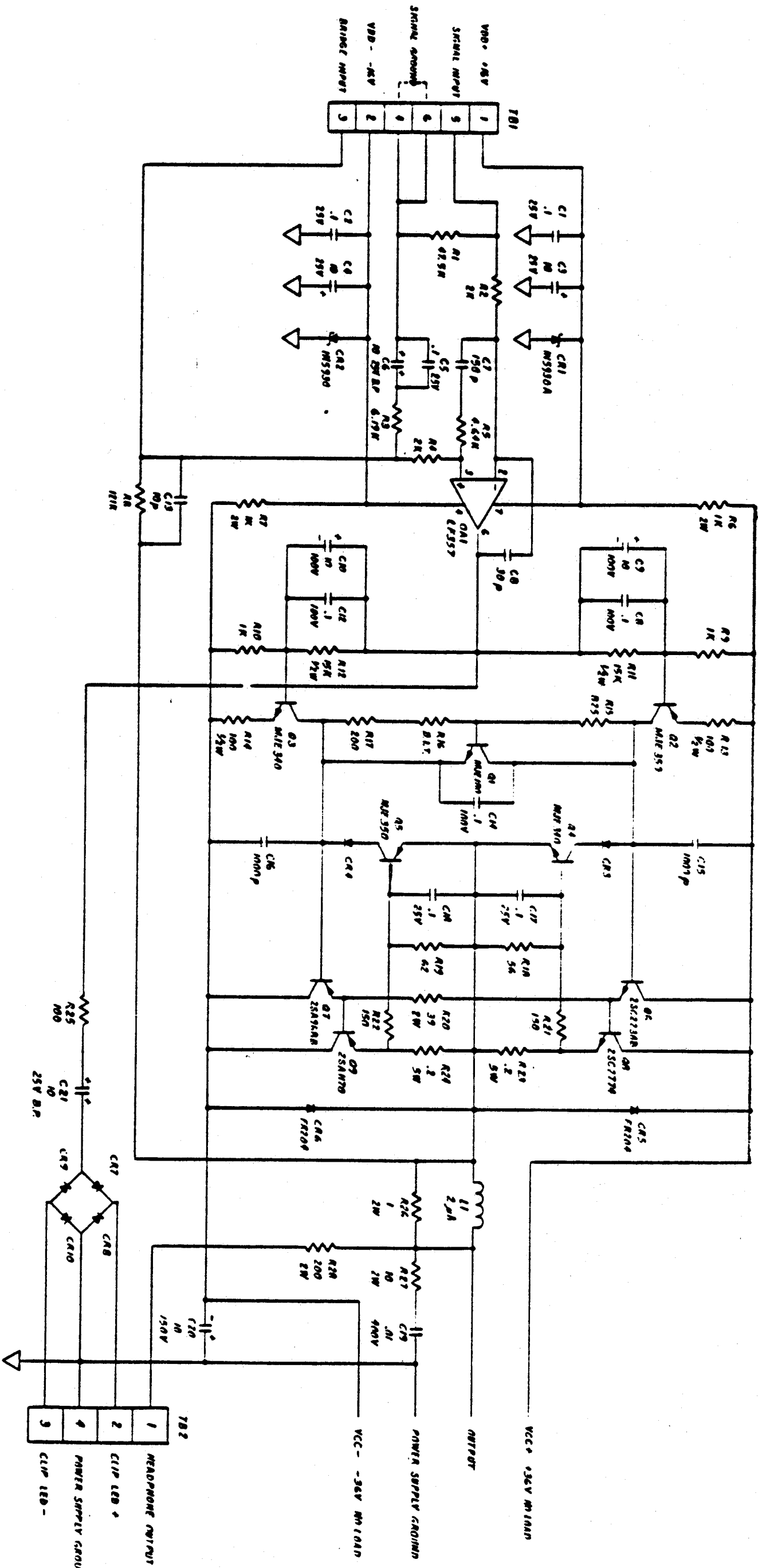
CREST AUDIO
HAWTHORNE, N.J. 07506

OWN: JJD DATE: 8/10/84
 APP: T.F. DATE: 8/15/84
 TOL: ±.02 ±.1°
 REE: .01 FRACT: 1/64

PROJECT P.C.B.
 SERIES
 POWER AMPLIFIERS
 MODEL 1501A

SCHWEMM
 DWG NO: 2102727
 REV: C1

SCALE: --- DO NOT SCALE DRAWING

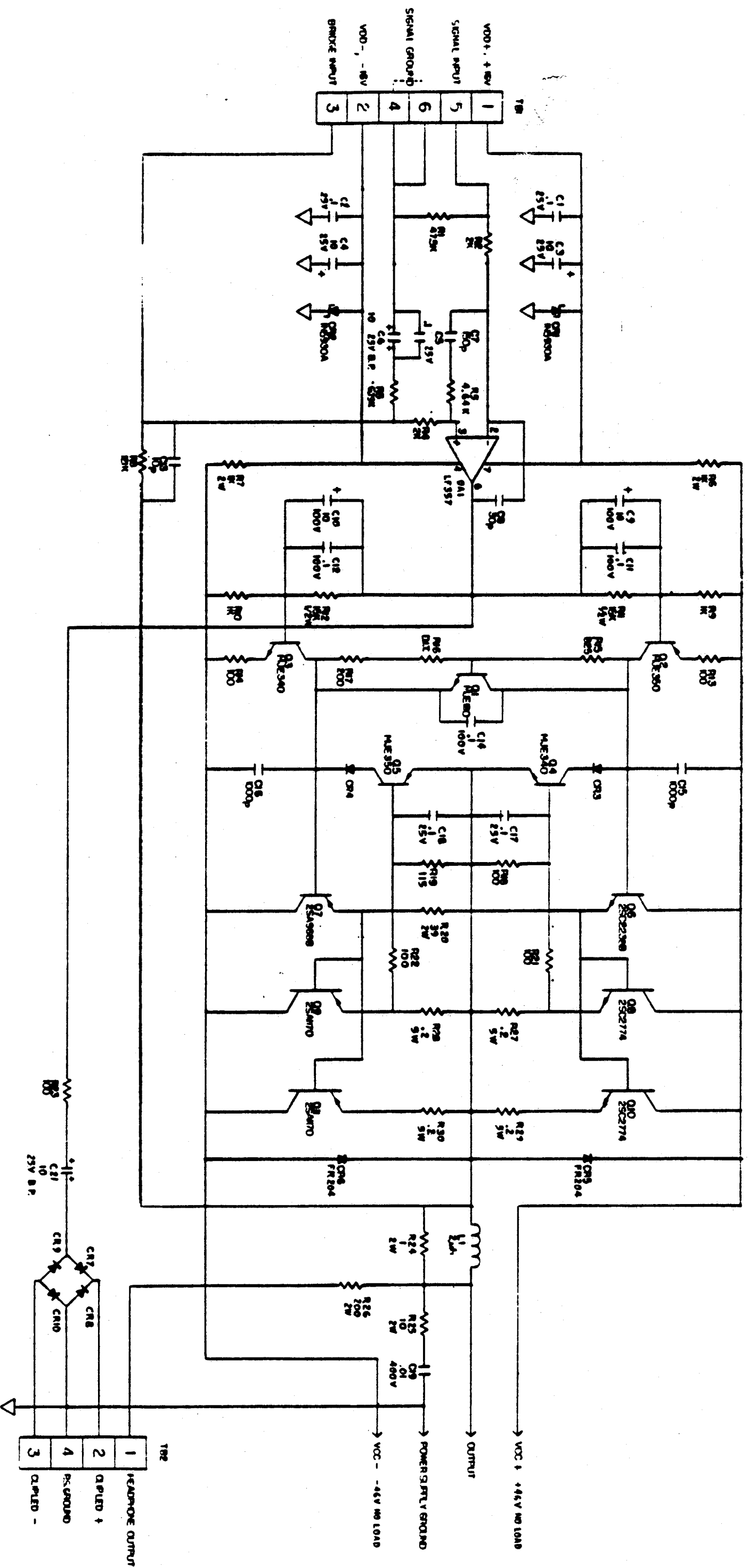


COMP. NOT INSTALLED BY	LAST REF. DESIG.	NOT USED	DATE
OUTSIDE WINDOW			
	C21		
	C10		
	L1		
	Q1		
	R28		
	Q3		
	T82		

NOTES
 1. UNLESS SPECIFIED OTHERWISE
 - CAPACITORS ARE IN PFD
 P = PICOFARAD
 - DIODES ARE M4148
 - RESISTORS ARE 1/4 W 1%
 2. Q1, Q3 - Q9 MOUNTED ON MAIN HEATSINK

REV	DESCRIPTION	DATE

CREST AUDIO
 MANUFACTURED IN U.S.A.
 CREST
 MODEL 1001A
 POWER AMPLIFIER
 HEATSINK MODULE
 SCHEMATIC DWG
 2104806



COMP. NOT INSTALLED BY	LAST REF DES.	NOTES	REV DESCRIPTION	DATE
OUTSIDE VENDOR		IF GAGE VALUE IN PARADIGM SPECIFIED BY PROFORMA BIDDERS PLEASE UNLESS NOTED ALONG SPECIFICATIONS IN % U/A OR -1, MOUNTED ON HEAT SINK		

USED	NOT USED	NOTES
CR1		
CR2		
CR3		
CR4		
CR5		
CR6		
CR7		
CR8		
CR9		
CR10		
CR11		
CR12		
CR13		
CR14		
CR15		
CR16		
CR17		
CR18		
CR19		
CR20		
CR21		
CR22		
CR23		
CR24		
CR25		
CR26		
CR27		
CR28		
CR29		
CR30		
CR31		
CR32		
CR33		
CR34		
CR35		
CR36		
CR37		
CR38		
CR39		
CR40		
CR41		
CR42		
CR43		
CR44		
CR45		
CR46		
CR47		
CR48		
CR49		
CR50		
CR51		
CR52		
CR53		
CR54		
CR55		
CR56		
CR57		
CR58		
CR59		
CR60		
CR61		
CR62		
CR63		
CR64		
CR65		
CR66		
CR67		
CR68		
CR69		
CR70		
CR71		
CR72		
CR73		
CR74		
CR75		
CR76		
CR77		
CR78		
CR79		
CR80		
CR81		
CR82		
CR83		
CR84		
CR85		
CR86		
CR87		
CR88		
CR89		
CR90		
CR91		
CR92		
CR93		
CR94		
CR95		
CR96		
CR97		
CR98		
CR99		
CR100		

CREST AUDIO
MODEL IS01A SET
POWER AMPLIFIER
HEAT SINK MODUL
SCHEMATIC DWG
2104609